

**Key Features:**

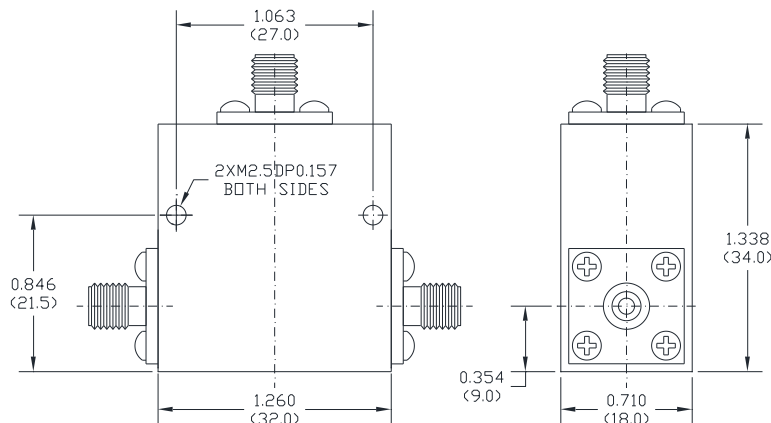
- Wide operating frequency range from 2.0 to 4.0GHz
- 50 ohm SMA female coaxial connectors
- 50 Watts CW forward and reverse power handling capability
- Two sided mounting screw holes for easy system arrangement
- 0~+45°C operating temperature range
- Weight 85 grams (3.0 OZ)

**Description:**

F2612-0300-67 is a single junction coaxial circulator with SMA female coaxial connectors operating in the frequency range from 2.0 to 4.0GHz and offers 0.35dB typical insertion loss and 19dB typical reverse isolation. The power rating of this device is 50 watts CW power.

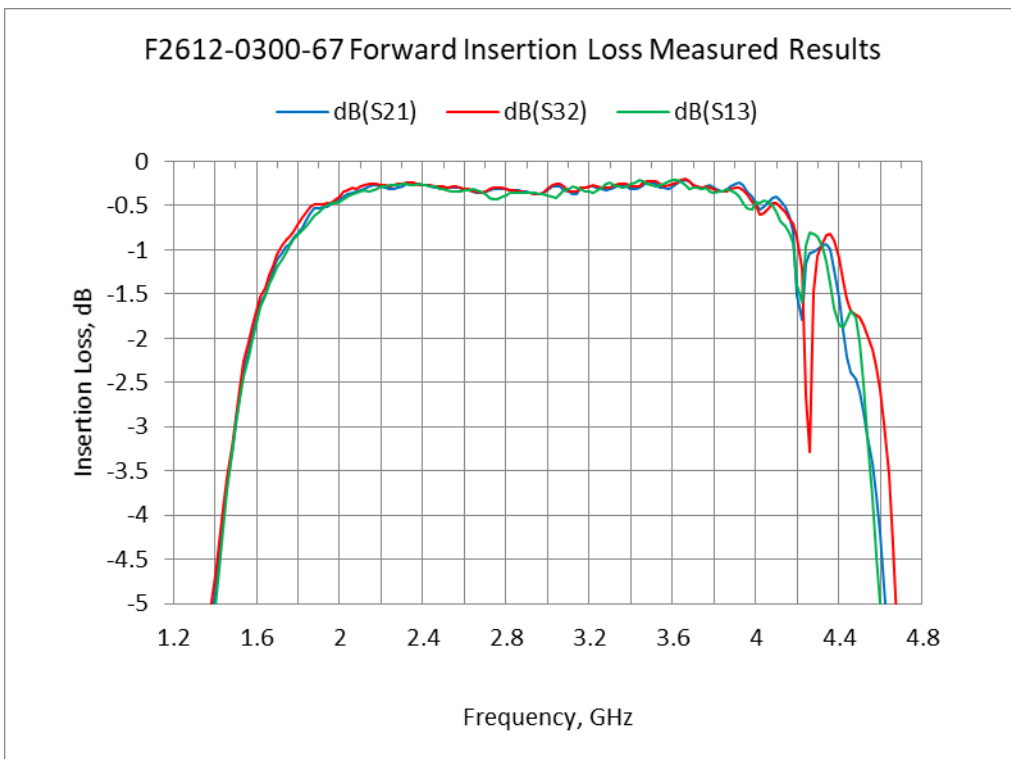
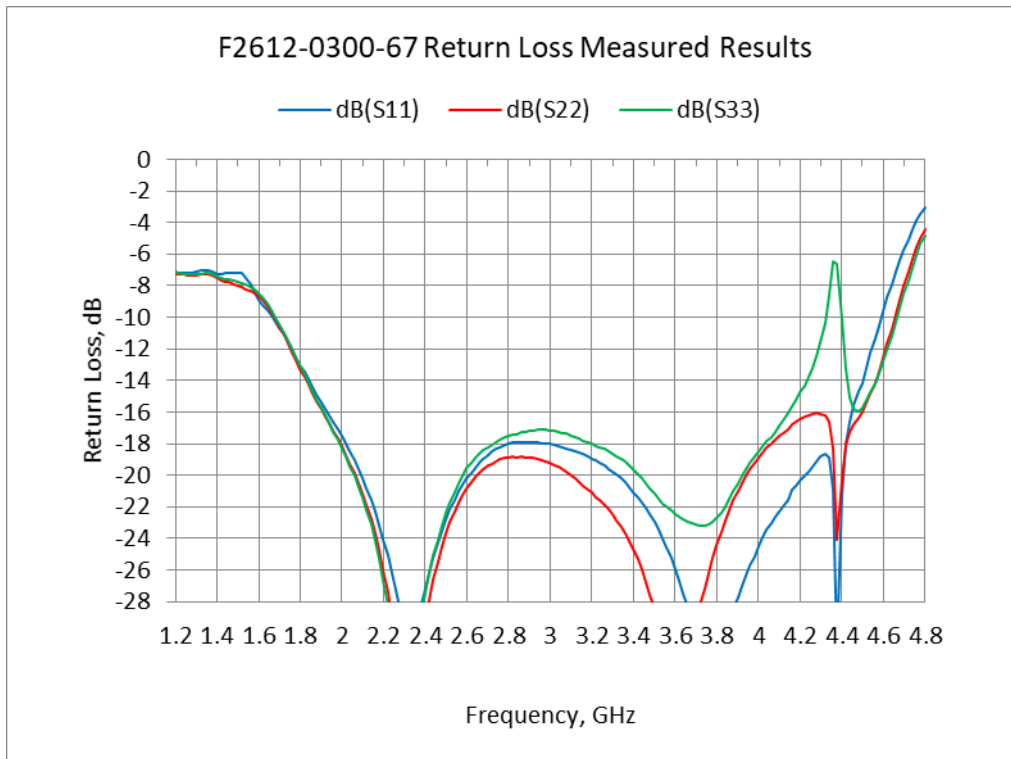
**Electrical Specifications**

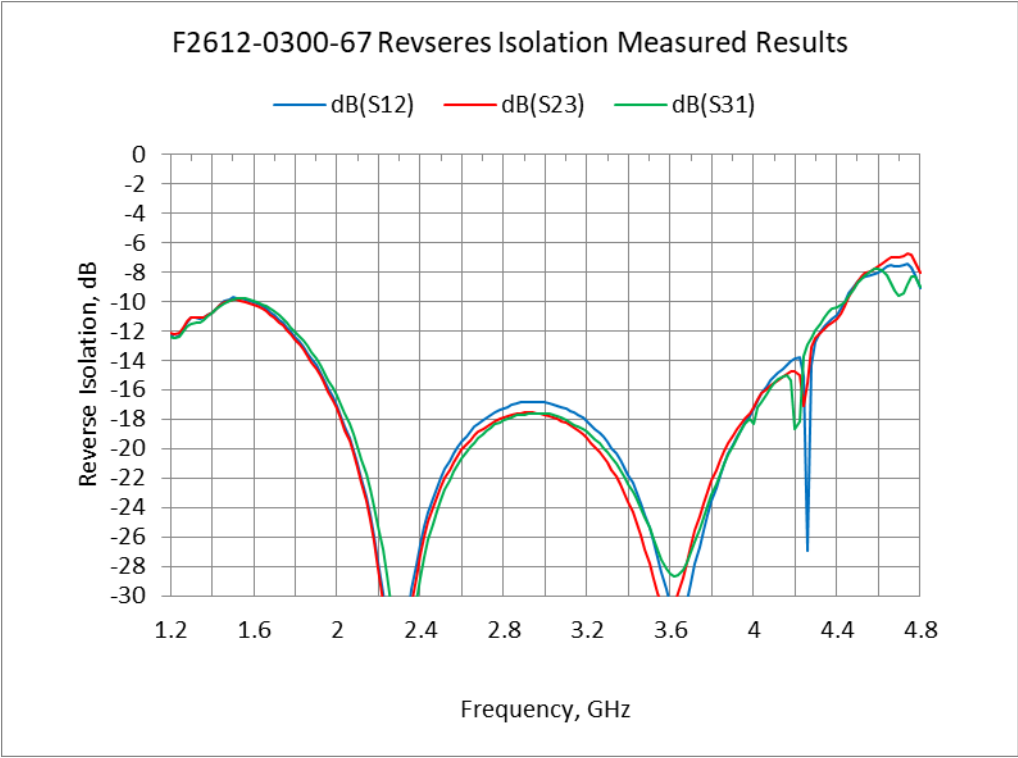
No.	Parameters	Units	Specifications		
			Minimum	Typical	Maximum
1	Frequency Range	GHz	1.50		3.0
2	Insertion Loss @ Room temp.	dB	-	0.35	0.6
2A	Insertion Loss over temp.			0.4	0.7
3	Reverse Isolation @ room temp.	dB	16.0	19.0	
3A	Reverse Isolation over temp.		15.0	18.0	
4	VSWR @ room temp.(Return loss)	-	-	-	1.40:1(-15.6)
4A	VSWR over temp.(Return loss)				1.50:1(-14.0)
5	Forward Power CW	Watts			50
7	Operating Temperature	°C	0		+45
8	Impedance	Ω		50	
9	RF Connectors	-	SMA Female		
10	Signal Flow Direction	-	From Port 1 to Port 2 to Port 3		

**Mechanical Structure:**

Note: All units in inches (mm).

Typical Test Plots:





Revision History:

Revision	Date	Description	Comments
A00	02/02/2018	Initial Release	