

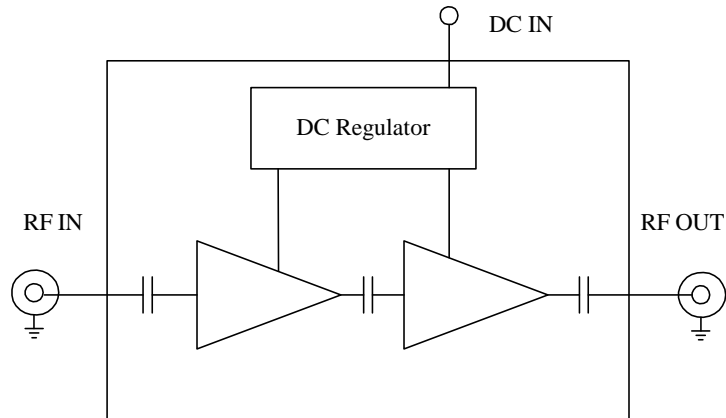
Features:

- Broad band operation from 6.0 GHz to 18.0 GHz
- Low noise figure
- Low VSWR, unconditional stable
- Small size, low cost
- SMA female connector I/O.
- Single DC power supply, internal voltage regulator
- Operating temperature -40~+75°C, storage temperature -55~+125°C

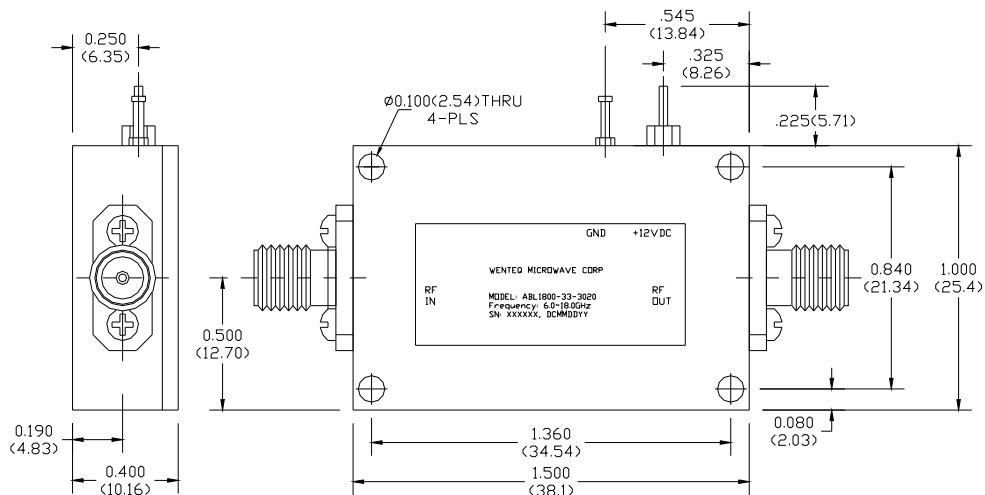
Electrical Specifications

Parameters	Units	Specifications		
		Minimum	Typical	Maximum
Frequency Range	GHz	6.0		18.0
Small Signal Gain @25°C	dB	27.0	30.0	33.0
Noise Figure @25°C	dB		2.5	3.0
P-1dB Compression Point	dBm	+16.0	+18.0	
Output IP3	dBm	+25.0	+28.0	
Gain flatness	dB		+/-1.5	+/-2.0
Gain Variation	dB		+/-2.0	
Input VSWR			2.0:1	3.0:1
Output VSWR			1.8:1	2.5:1
Reverse Isolation	dB	40.0	45.0	
Non-Harmonic Spurious	dBc			-60.0
Operating Temperature	°C	-40		+75
Survival Temperature	°C	-55		+125
DC Voltage	V		+15.0	
DC Supply Current	mA	160 mA	180 mA	200 mA
In/Out connectors		SMA Female		
Size	inches	1.5"x1.0"x0.4"		

Functional Diagram



Mechanical Structure:



Note: All units in inches (mm).

Absolute Maximum Ratings

DC Voltage	+16.5V
RF Input Power	10 dBm
Storage Temperature	-55~+125°C
Operating Temperature	-40~+75°C