

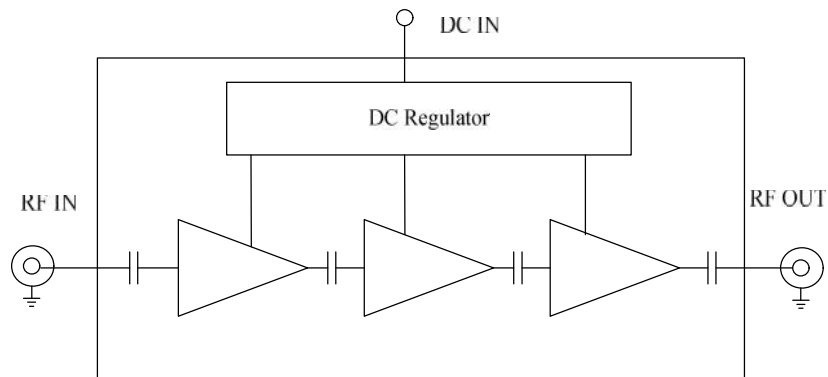
Features:

- Broad band from 9 kHz to 3GHz.
- Low noise, and high gain
- Low VSWR, unconditional stable
- SMA female connector I/O
- Single +12V DC power supply
- Operating temperature -40~+85°C, storage temperature -55~+125°C

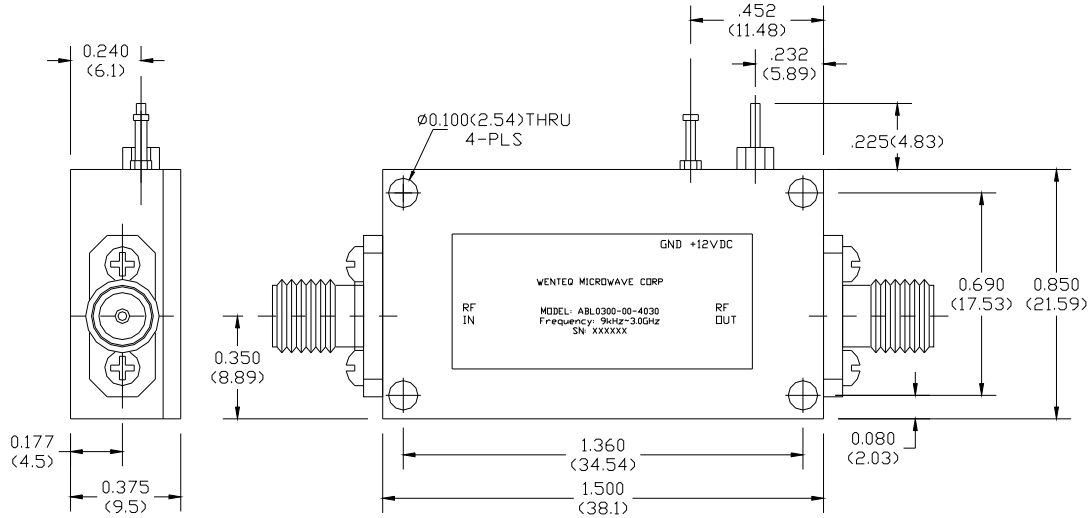
Electrical Specifications

Parameters	Minimum	Typical	Maximum
Frequency Range	9 kHz		3000MHz
Noise Figure (from 50MHz)		2.5 dB	3.0 dB
Nominal SS Gain @25°C	37 dB	40dB	43 dB
P-1dB Compression Point	+15dBm	+16 dBm	
Gain flatness		+/-1.5 dB	+/-2.0 dB
Gain Variation		+/-1.5 dB	
Input VSWR		1.6:1	2.0:1
Output VSWR		1.8:1	2.0:1
Reverse Isolation	50dB	55dB	
Spurious			-60 dBc
Operating Temperature	-40°C		+75°C
Survival Temperature	-55°C		+125°C
DC Voltage		+12 V	
DC Supply Current	110 mA	140 mA	170 mA
In/Out connectors	SMA female		
Size	1.5"x0.85"x0.375"		

Functional Diagram



Mechanical Structure:



Note: All units in inches.

Absolute Maximum Ratings

DC Voltage	+12.5V
RF Input Power	+5 dBm
Storage Temperature	-55~+125°C
Operating Temperature	-40~+75°C