

Features:

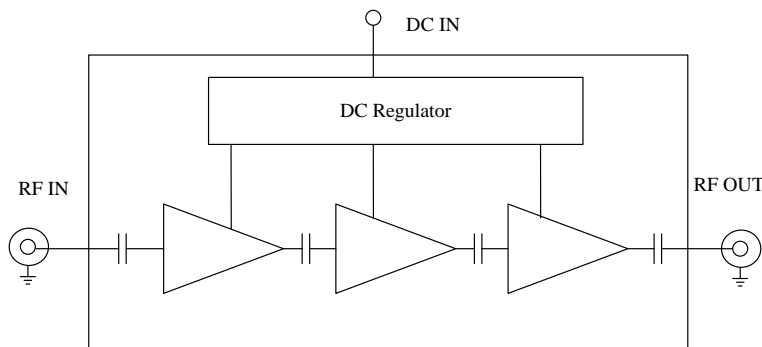
- 0.8~2.4GHz broad band operation with 40dB of small signal gain
- Low noise figure, high dynamic range
- Low VSWR, unconditional stable
- SMA female connector RF I/O, single DC power supply required
- Operating temperature -40~+75°C, storage temperature -55~+85°C



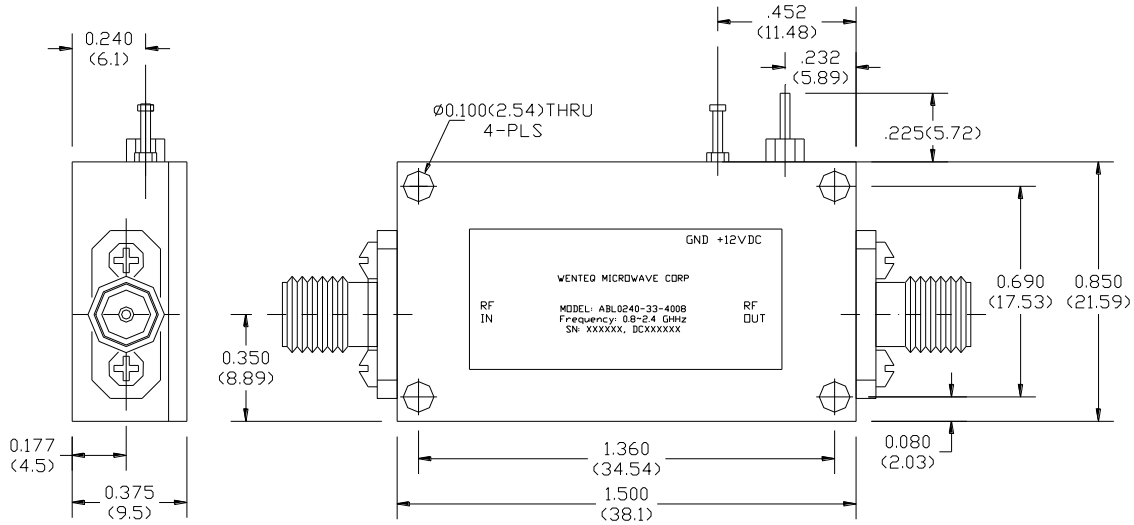
Electrical Specifications

Parameters	Units	Specifications		
		Minimum	Typical	Maximum
Frequency Range	MHz	800		2400
Noise Figure @25°C	dB		0.6	0.8
Small Signal Gain @25°C	dB	37.0	40.0	43.0
Gain flatness	dB		+/-1.5	
Gain Variation	dB		+/-1.0	
P-1dB Compression Point	dBm	+13.0	+14.0	
Output IP3	dBm	+22.0	+25.0	
Input VSWR	-		1.6:1	2.0:1
Output VSWR	-		1.6:1	2.0:1
Spurious	dBc			-70
Operating Temperature	°C	-40.0		+75.0
Survival Temperature	°C	-55.0		+125.0
DC Power Supply Voltage	V	+10.0	+12.0	+15.0
DC Power Supply Current	mA	100.0	120.0	135.0
In/Out connectors		50 ohm SMA female		
Size	inches	1.5×0.85×0.375		

Functional diagram:



Mechanical Structure:



Note: All units in inches.

Absolute Maximum Ratings

DC Voltage	+15V
RF Input Power	+18 dBm
DC Voltage at RF I/O	+25V
Storage Temperature	-55~+125°C
Operating Temperature	-40~+85°C



Electrostatic sensitive device, please observe precautions for handling this amplifier.