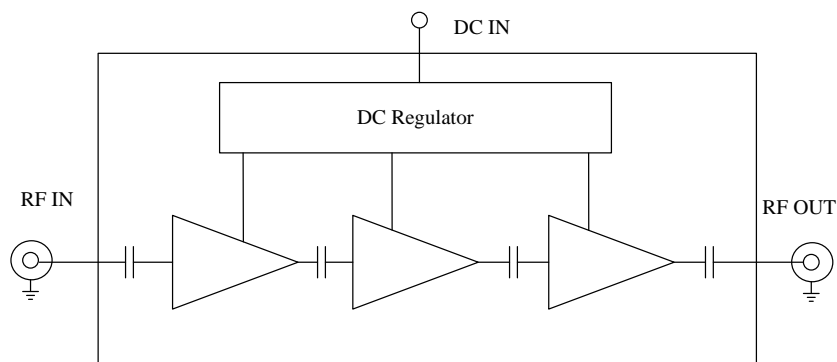


Features:

- Octave bandwidth, specification from 10~2000MHz
- Low noise figure, and high gain
- Low VSWR, unconditional stable
- SMA female connector I/O
- Single DC power supply, internal voltage regulator, operating voltage from +12~+15V
- Operating temperature -40~+75°C, storage temperature -55~+125°C

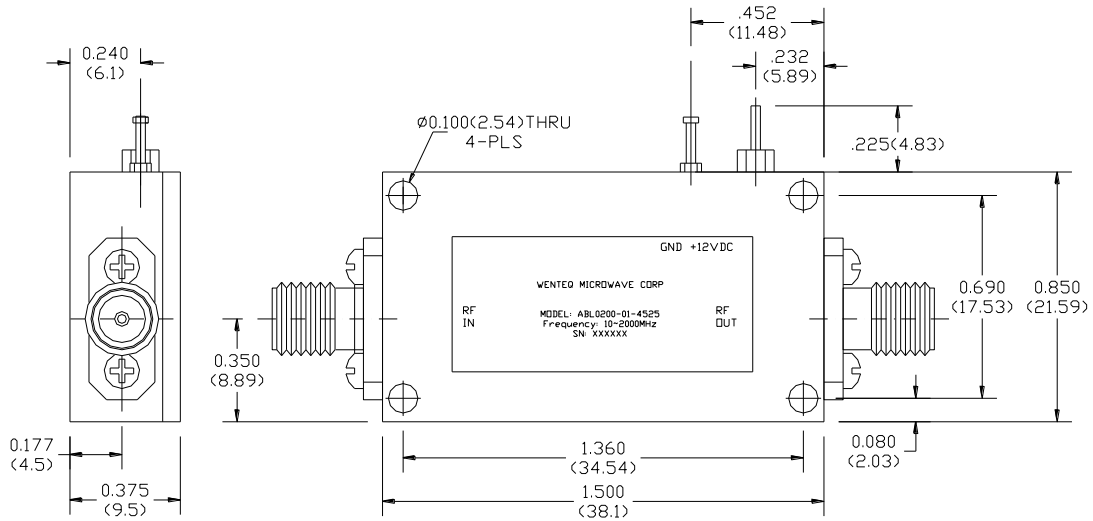
Functional Diagram



Electrical Specifications

Parameters	Specifications		
	Minimum	Nominal	Maximum
Frequency Range	10 MHz		2000 MHz
Noise Figure (from 30MHz)		2.5dB	3.0dB
P-1dB Compression Point	+10dBm	+12dBm	
Nominal Gain @25°C	47 dB	50 dB	53 dB
Gain flatness		+/-1.0 dB	+/-1.5 dB
Gain Variation		+/-1.5 dB	
Input VSWR		1.6:1	2.0:1
Output VSWR		1.6:1	2.0:1
Reverse Isolation	60dB.		
Non-Harmonic Spurious			-60 dBc
Operating Temperature	-40°C		+75°C
Survival Temperature	-55°C		+125°C
DC Power Supply Voltage	+10V	+12V	+15V
DC Power Supply Current	120 mA	140mA	170mA
In/Out connectors	SMA female		
DC Input	RF Out Port		
Size	1.5"x0.85"x0.375		

**Mechanical Structure:**



Note: All units in inches.

**Absolute Maximum Ratings**

DC Voltage	+15V
RF Input Power	+10dBm
Storage Temperature	-55~+125°C
Operating Temperature	-40~+75°C